

PRODUCT CATALOG STERILE DRAPES FOR DEVICES

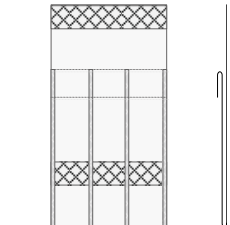
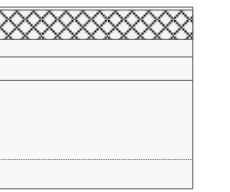
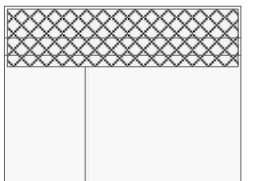


REFLECT BEFORE YOU ACT.

PRODUCT CATALOG

Sterile drapes
for devices

19. Instrument pouches

Product	Art. no.	Size	Description
	E6663	48x25 cm / 19"x 9 ¾"	Instrument pouch PU 3 pockets
	E6664	31x33 cm / 12"x13"	Diathermy pouch PE 1 pocket
	E6665	31x41 cm / 12"x16"	Diathermy pouch PE 2 pockets



webyinger

Johann-Galler-Straße 15,
2120 Wolkersdorf, Austria
Tel.: +43 (0) 2245 824 88
Fax: +43 (0) 2245 824 93
office@websinger.at
www.websinger.at